

Catalog #:	
Project :	
Type :	Date:
Notes:	

## LED Shoebox/Area Light

## TL-SAL1™ SERIES

### DESCRIPTION

State-of-the-art design luminaire for parking lots & security lighting. Corrosion resistant with Type II, III, IV, & V Optics options. 100% Mercury & Lead Free.

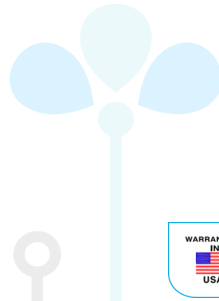
### APPLICATIONS

Ideal for lighting general outdoor, wet location and commercial area lighting. Replaces Metal Halide for superior energy efficiency and slim aesthetics.



### QUICK SHIP:

TL-SAL1-60W-40 TL-SAL1-60W-50  
 TL-SAL1-100W-40 TL-SAL1-100W-50  
 TL-SAL1-150W-40 TL-SAL1-150W-50  
 TL-SAL1-200W-40 TL-SAL1-200W-50  
 TL-SAL1-300W-40 TL-SAL1-300W-50



### Specification Features



### Controls / Dimming

High quality isolated driver; 0-10V dimming; Flicker free. Industry leading optics with a standard Type 3 or Optional: Type 2, Type 4, & Type 5.

### Warranty

5 Years Limited Warranty. 10 Years available. See warranty documentation for

### Certification

It complies with UL & cUL certification, safe and reliable. IP65 Rated.

### Installation / Mounting

Luminaire is easy to Surface Mount install. Beam angle is 120°. Instant start w/NO humming.

## Ordering Information

Example: TL-SAL1-150W-50K-V-SFM

TL-	SAL1	150W-		50K-		[Blank]	[Blank]	V
Brand	Series	Nominal Wattage		Color Temp		Diffuser Type	Optics Light Angle	Dimmable
TL TechnoLED	SAL1 Shoebox / Area Light Fixture	<b>100W</b>	100 Watt	40K	4000K	<b>C</b> Clear	<b>[Blank]</b> Type 3 T2 Type 2 T4 Type 4 T5 Type 5	<b>V</b> Non- Dimmable <b>D</b> 0-10V Dimmable <b>DALI</b> Dali Dimmable
		<b>150W</b>	150 Watt	50K	5000K			
		<b>200W</b>	200 Watt					
		<b>300W</b>	300 Watt					
							[Blank]	
							<b>Controls/Mounting/Options</b>	
						<b>APM</b>	Adjustable Square Pole Mount	
						<b>SPM</b>	Square Pole Mount	
						<b>SFM</b>	Slip-Fitter Mount	
						<b>YKM</b>	Yoke Mount	
						<b>PC</b>	Dusk Till Dawn Photocell	
						<b>480V</b>	AC347-480V Driver	



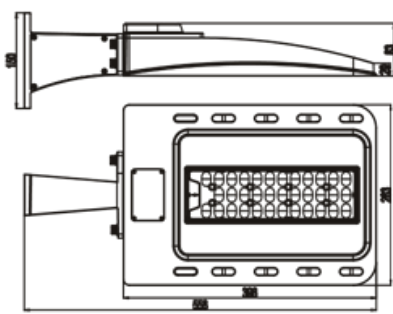
## Lighting Parameters

Input Voltage	AC100-277V
CCT	4000K / 5000K
CRI	Ra>70
Luminous efficacy	140lm/w
PF	0.90
Driver Efficiency	87%
THD	20%
Working temperature	-4°F~104°F
Storage temperature	-22°F~140°F
IP Rating	IP65 Rated

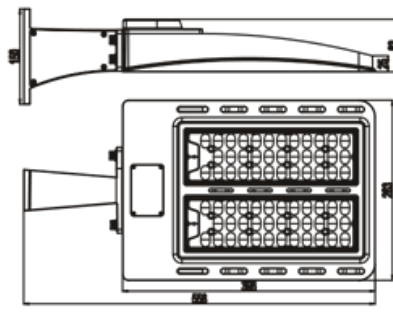
## Product Features

- Highly energy efficient - up to 140lm/w
- Up to 70% energy savings compared to HID or Metal Halide
- Slim, state-of-the-art, low profile design maximizes wind resistance
- IP65 rated, suitable for Wet Locations
- Modern and durable design 5 Years warranty. 10 Years available.
- 1-10V dimmable available
- Photocell sensor available

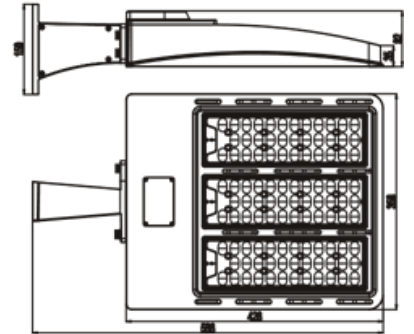
## Dimensions, Mounting Options/Controls



60W/100W/120W/150W



200W



250W / 300W



Square Pole Mount



Slip fitter Mount



York Mount



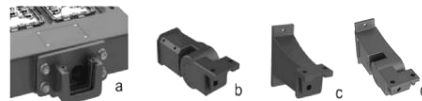
Round Pole Mount



Photocell



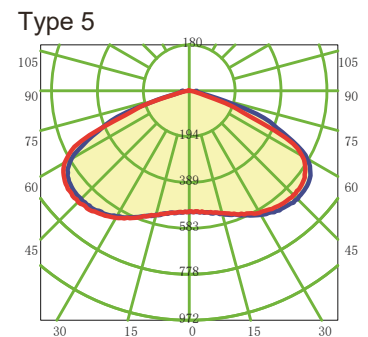
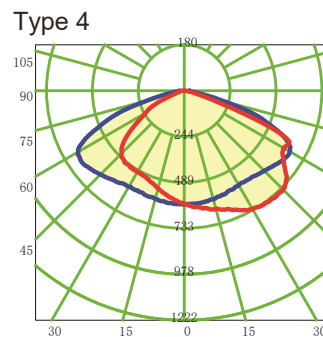
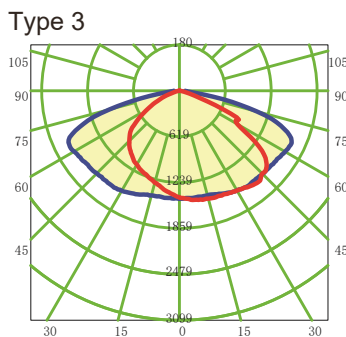
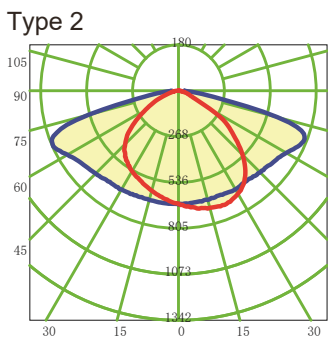
Short circuit CAP



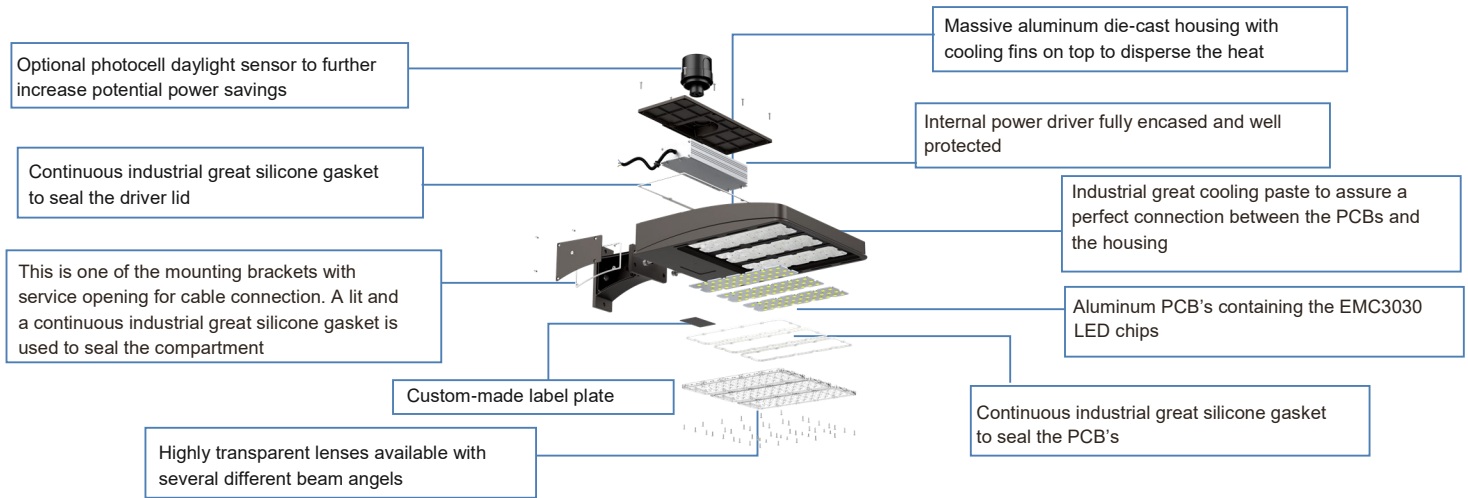
Quick Install (a+b, a+c, or a+d)

Part Number	L	W	H
TL-SAL1-100W	22.95"	11.14"	5.90"
TL-SAL1-150W	22.95"	11.14"	5.90"
TL-SAL1-150W-480V	22.95"	11.14"	5.90"
TL-SAL1-200W	22.95"	11.14"	5.90"
TL-SAL1-200W-480V	22.95"	11.14"	5.90"
TL-SAL1-300W	24.13"	14.09"	5.90"
TL-SAL1-300W-480V	24.13"	14.09"	5.90"

## Light distribution curve data



## Exploded Description



Operating frequency	47-63HZ	Available light colors	Warm white; Natural white; daylight white
Type of current	AC100~277V	Available color temperatures	3000K;4000K;5000K;6000K
Power factor λ	>0.9	Available fixture finish	Dark bronze, White
Efficiency in %	>92%	Standard deviation of color matching	<3
Start time (0.2s / 0.5s / ...)	0.1S	UGR (Unified Glare Rating)	<27
Warm-up time to 60 % (1.5s / 2s / ...)	0.5S	Available beam angles	Type 2/Type 3/Type 4/Type 5

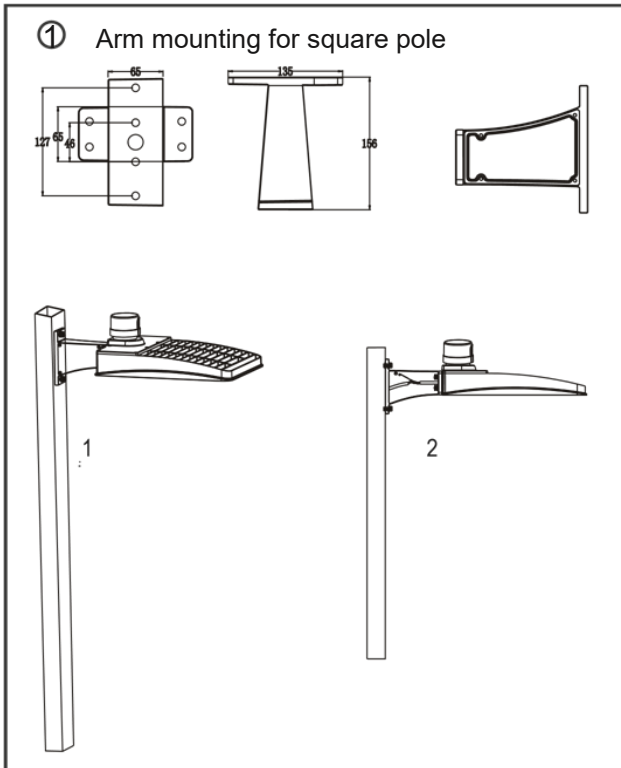
## Packing Information

Model	Outer Carton Size (L×W×H)	Qty/Carton (pcs)	N.W./Ctn. (lbs)	G.W./Ctn. (lbs)
TL-SAL1-100W / 150W / 150W-480V	25.59" x 13.77" x 7.48"	1 pcs.	12.2 lbs.	19.0 lbs.
TL-SAL1-200W / 200W-480V	25.59" x 13.77" x 7.48"	1 pcs.	15.0 lbs.	21.7 lbs.
TL-SAL1-300W / 300W-480V	26.77" x 16.92" x 7.48"	1 pcs.	21.2 lbs.	30.5 lbs.

## Product Information

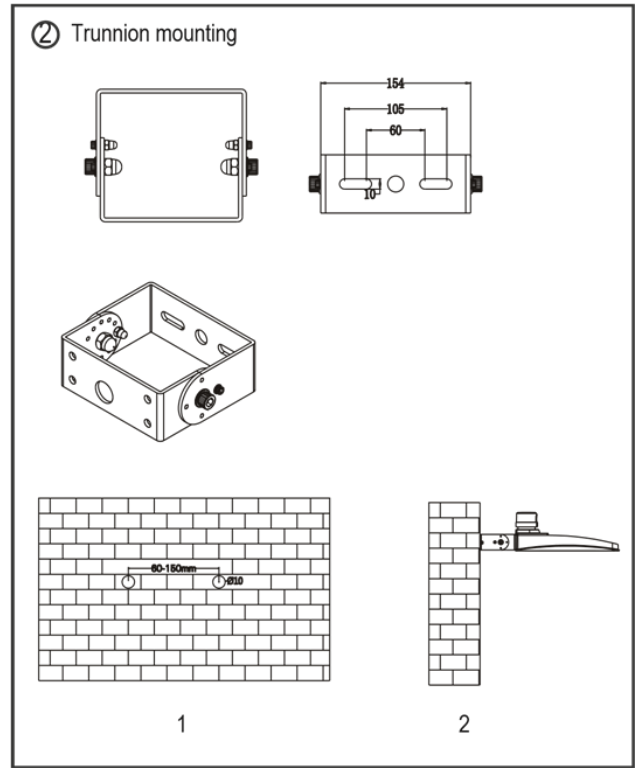
Model	Description	Watt	Lumens	Voltage	THD	PF	Equivalent Wattage	DLC® Product ID
TL-SAL1-100W-40-V	Area / Shoebox light	100	12,949	120-277	≤12.4%	>0.9	200W-250W	PLS469XV3B5K
TL-SAL1-100W-50-V	Area / Shoebox light	100	13,295	120-277	≤12.4%	>0.9	200W-250W	PLV521EDZ1OD
TL-SAL1-150W-40-V	Area / Shoebox light	150	18,068	120-277	≤13.6%	>0.9	400W-450W	PL7I4DLWFLDH
TL-SAL1-150W-50-V	Area / Shoebox light	150	18,521	120-277	≤13.6%	>0.9	400W-450W	PLBY8R2WV6SA
TL-SAL1-150W-40-480V	Area / Shoebox light	150	18,068	347-480	≤13.6%	>0.9	400W-450W	Pending
TL-SAL1-150W-50-480V	Area / Shoebox light	150	18,521	347-480	≤13.6%	>0.9	400W-450W	Pending
TL-SAL1-200W-40-V	Area / Shoebox light	200	25,824	120-277	≤14.2%	>0.9	450W-600W	PLK9RO3A2KI8
TL-SAL1-200W-40-480V	Area / Shoebox light	200	25,824	347-480	≤14.2%	>0.9	450W-600W	Pending
TL-SAL1-200W-50-V	Area / Shoebox light	200	27,610	120-277	≤14.2%	>0.9	450W-600W	PL1756LZKTPH
TL-SAL1-200W-50-480V	Area / Shoebox light	200	27,610	347-480	≤14.2%	>0.9	450W-600W	Pending
TL-SAL1-300W-40-V	Area / Shoebox light	300	38,258	120-277	≤13.9%	>0.9	600W-1000W	PLIKNL5OPVSQ
TL-SAL1-300W-40-480V	Area / Shoebox light	300	38,258	347-480	≤13.9%	>0.9	600W-1000W	Pending
TL-SAL1-300W-50-V	Area / Shoebox light	300	39,748	120-277	≤13.9%	>0.9	600W-1000W	PLJ0E9YQH9YS
TL-SAL1-300W-50-480V	Area / Shoebox light	300	39,748	347-480	≤13.9%	>0.9	600W-1000W	Pending

## Pole Mounting Installation Instructions



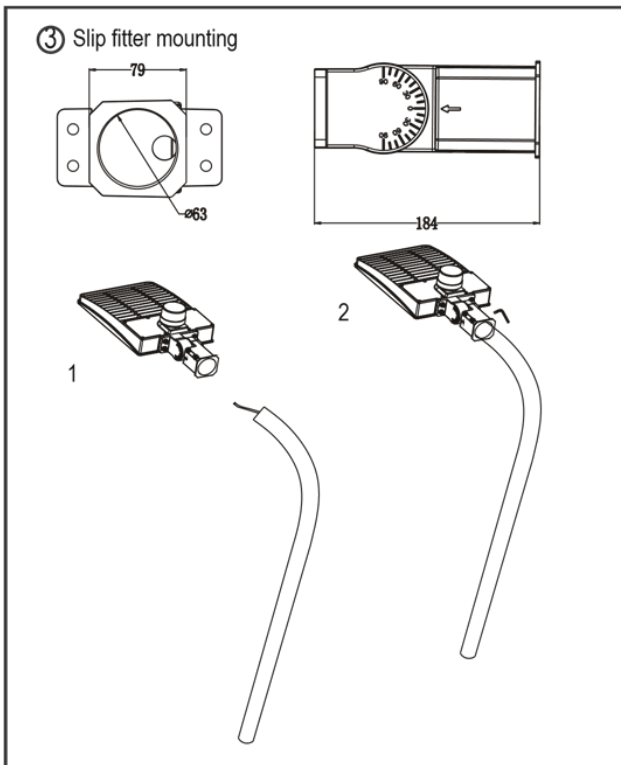
1) Drill holes in the square pole corresponding to the holes on the mounting arm, at the position you want to install the fixture. Use bolts and nuts to tightly fix the fixture to the pole.

2) Bring in the power line through the middle hole into the mounting arm and connect the wires. Close the compartment by using the silicon gasket and the cover plate.



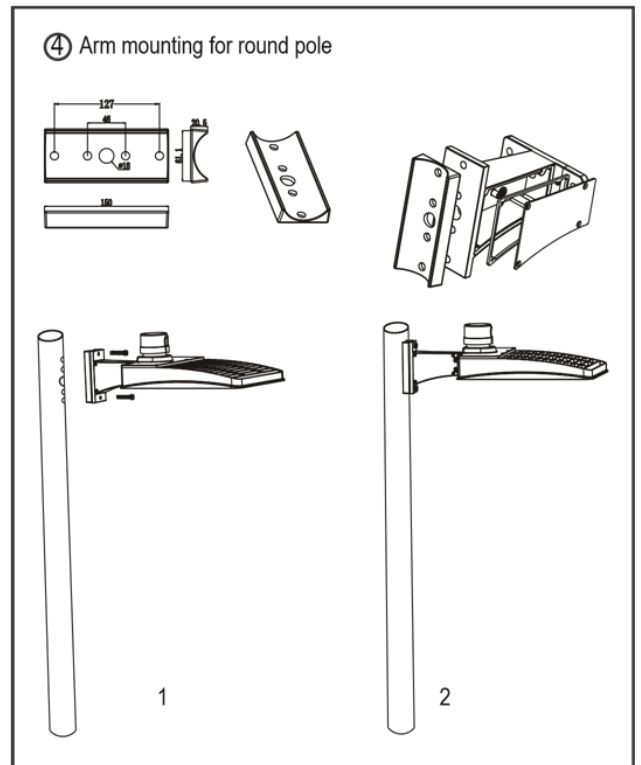
1) Drill two holes in the wall corresponding to the holes in the mounting bracket, at the position you want to install the fixture. Use expansion screws and nuts to fix the fixture tightly to the wall.

2) Use the adjustment screw at the side of the bracket to adjust the installation angle. Afterwards connect the power line.



1) Connect the power line and fit the fixture on the pole.

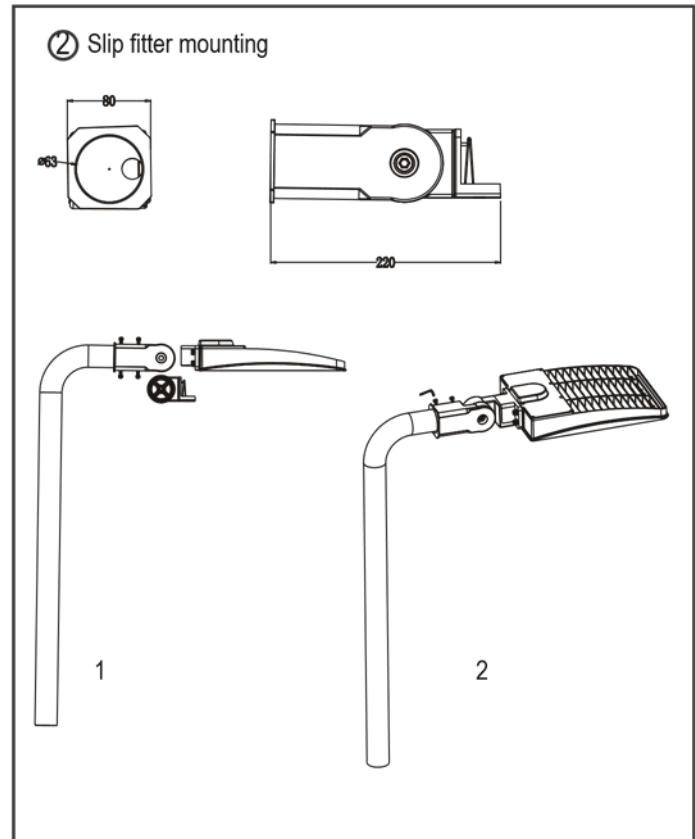
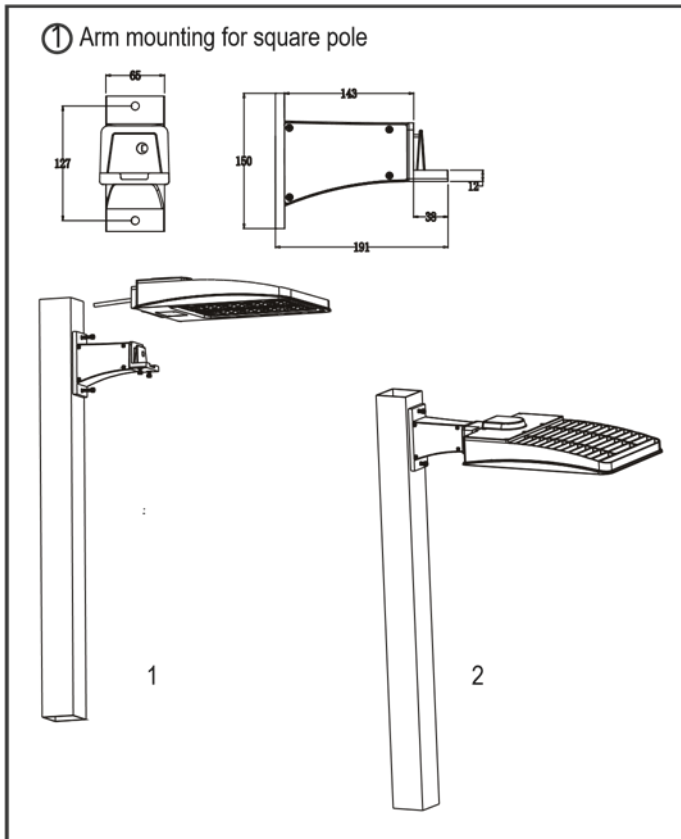
2) Tighten the screws at the side of the mounting arm to secure the fixture



1) Drill holes in the round pole corresponding to the holes on the mounting arm, at the position you want to install the fixture. Use bolts and nuts to tightly fix the fixture to the pole with the adapter piece in-between.

2) Bring in the power line through the middle hole into the mounting arm and connect the wires. Close the compartment by using the silicon gasket and the cover plate.

## Quick Installation Instruction



## Application and safety notes

- Carefully read and follow all warnings and instructions before installing or servicing the luminaire.
- The installation should be done by an individual familiar with the construction and operation of the luminaire.
- The installation of this luminaire must be in accordance with national and local building and electrical codes.
- The product must not be damaged or operated in a damaged condition.
- This luminaire must be directly wired on line. Any ballast or other power device previously used with the replaced luminaire must be removed.
- Between the luminaire and any possibly flammable material must be an appropriate safety space (at least 20cm).  
The luminaire must not be covered with heat insulating materials.  
Always provide proper ventilation around the luminaire and do not exceed the maximum ambient temperature. Compared to traditional lights the characteristic light distribution of this LED luminaire may differ. In order to be sure to meet your lighting requirements a photometric check of the installation is recommended.

## Maintenance

To avoid injuries, disconnect power to the light and allow the unit to cool down before performing maintenance.

**! Warning:** No user serviceable parts inside. Risk of electric shock. Removal of the lens will void the warranty.

- Perform visual, mechanical and electrical inspections on a regular basis. We recommend routine checks to be made on an annual basis. Frequency of use and environment should determine this.
- The lens should be cleaned periodically as needed to ensure continued photometric performance. Clean the lens with a damp, non-abrasive, lint-free cloth. If not sufficient, use mild soap or a liquid cleaner. Do not use an abrasive, strong alkaline or acid cleaner as damage may occur.
- Inspect the cooling surfaces and fins on the luminaire to ensure that they are free of any obstructions or contamination (i.e. excessive dust build-up). Clean with a non-abrasive cloth if needed.

