

Catalog #:	
Project :	
Type :	Date:
Notes:	

LED UFO Round High Bay

TL-RHB1™ Series

DESCRIPTION

Industry Leading in high ambient temperatures and designed to withstand moisture, dust, and airborne contaminants. 100% Mercury & Lead Free.

APPLICATIONS

Ideal for lighting warehouses, pools, gymnasiums, and industrial spaces. Replaces Metal Halide & Fluorescent High Bays for energy efficiency.

QUICK SHIP:

TL-RHB10-100W-110-H1-50K
 TL-RHB15-150W-110-H-50K
 TL-RHB24-200W-110-H-50K
 TL-RHB24-240W-110-H1-50K



Specification Features

Construction

Professional light distribution optics, high light reflectivity reflectors, 90 /110 beam angle available; The lens pass rate is over 90%. Pure aluminum shell is lighter weight and provides better heat dissipation when compared to die-casting aluminum.

Optical System

Excellent Optic design, greatly improved the light utilization and evenness.

Warranty

7 Years Limited Warranty. See warranty documentation for more information.

Electrical

High efficiency LED Driver, with wide input voltage range from AC100-277V & AC277V-480V(1-10V light); Song Sheng Electronic Driver, 2835 Samsung and HONGLI LED Chips. Fin design, advective holes and grooves in each fin, provide efficiency for superior heat dissipation.

Certification

It complies with UL certification, safe and reliable.

Installation / Mounting

Wall Pack comes standard mounting plate for quick and easy installation

Shipping

Light weight and small size, save about half shipping costs.

Ordering Information

Example: TL-RHB1-100W-110-H1-50K

TL	RHB10	100W	110	H	50K	[BLANK]
Brand	Series — Wattage	Nominal Wattage		Beam Angle	Lumens x Watt	Color Temp
TL TechnoLED	RHB10	100W	100 Watt	110 110° Angle	H	140 Lm/W
	RHB10 - 100W	150W	150 Watt		H1	150 Lm/W
	RHB15	200W	200 Watt		Color Temp	
	RHB15 - 150W	240W	240 Watt		40K	4000K
	RHB24	300W	300 Watt		50K	5000K
	RHB24 - 200W			[BLANK]		
	RHB24 - 240W			Controls/Mounting/Options		
	RHB30			[Blank]	Hook Type Mount	
	RHB30 - 300W			RT	Ring Type Mount	
	UFO Round High Bay			SMB	Surface Mount Bracket	
				OS	On/Off Occupancy Sensor	
				OSDL	Sensor w/ Daylight Harvesting	
				EM	Emergency 90 min. Battery Backup	
				RE	Reflector	
					Dimming/Hz	
					[Blank]	
					0-10V Continuous Dimming, 50/60Hz	

Lighting Parameters

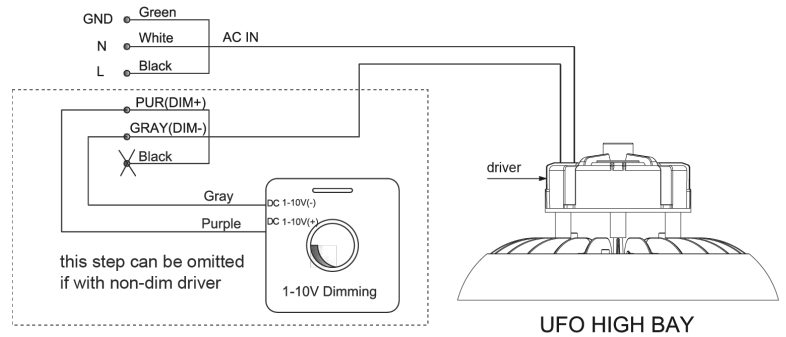
Input Voltage	AC100-277V & AC277V-480V
Lamp Bead Model	2835 Samsung and HONGLI
Mounting	Hook Type or Ring Type
LED Driver	Sosen
CCT	5000K
CRI	Ra>84
Lighting efficacy	130LM/W & 150LM/W
PF	>0.90
Beam Angle	110°
Input Current	0.22A / 0.3A / 0.4A / 0.8A
Working temperature	-4°F~122°F
Storage temperature	-22°F~122°F
Environment Location	Wet Location
Life Span	≥50000H
Lamp Shell	Black

Wiring Connection

Turn off the power, connect AC wire. black wire to L, white wire to N, and green wire to E.

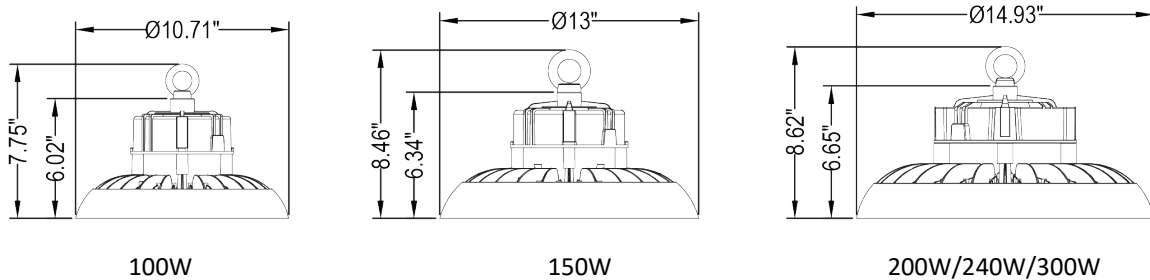
Dimmer connection (With dimmable driver.)

1. Compatible with 1-10V dimming.
2. Connect Wires as below, purple wire is D+, gray wire is D-, cap black wire.

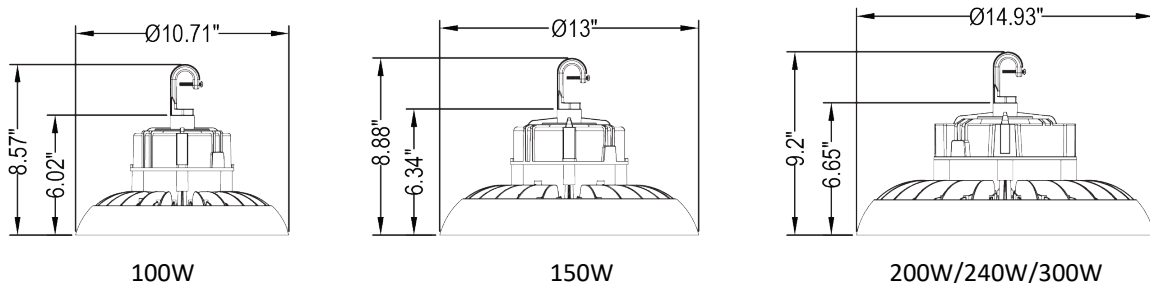


Product Dimension

1、Rings type:



2、Hook type:



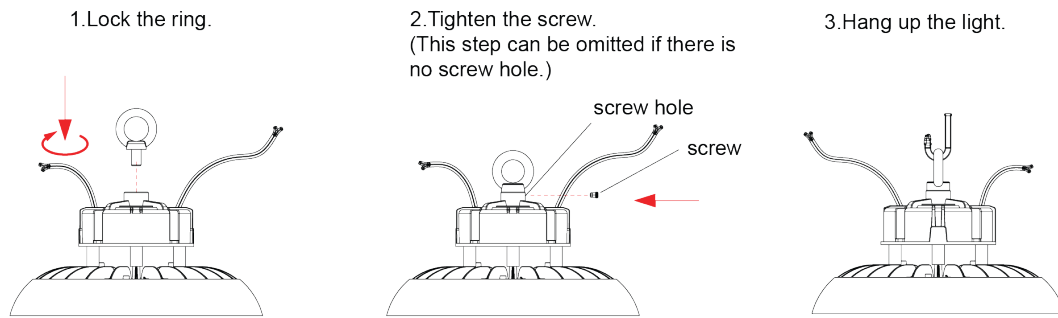
Packing Infor-

mation

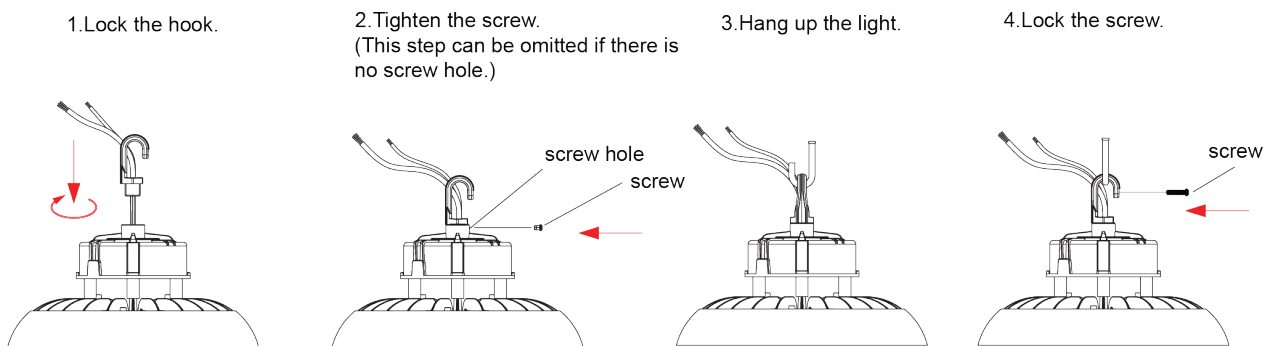
Power	Outer Carton Size (L×W×H)	Qty/Carton (pcs.)	N.W./Ctn (lbs.)	G.W./Ctn (lbs.)
100W	344*344*210mm (13.54**13.54**8.27")	1 pcs.	7.13 lbs.	9.11 lbs.
150W	400*400*220mm (15.75**15.75**8.66")	1 pcs.	10.34 lbs.	12.76 lbs.
200W / 240W	450*450*230mm (17.71**17.71**9.05")	1 pcs.	12.54/13.64 lbs.	15.4/16.5 lbs.
300W	450*450*230mm (17.71**17.71**9.05")	1 pcs.	21.3 lbs.	24.06 lbs.

Installation Instruction

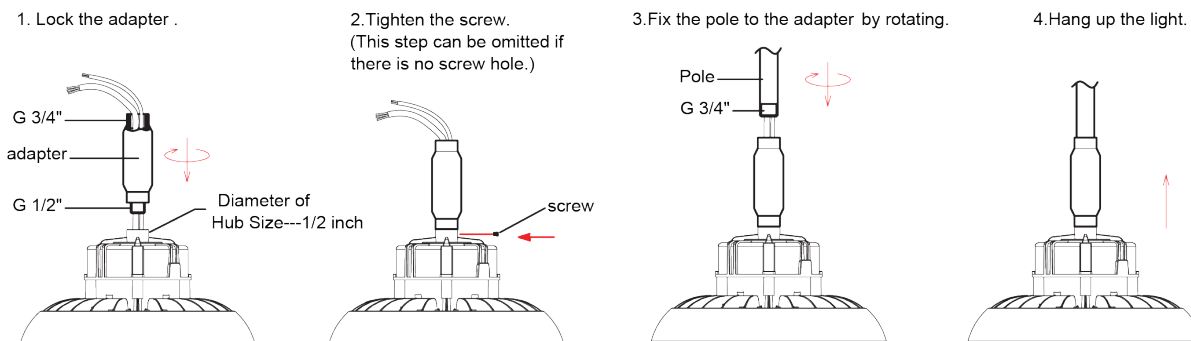
Ring Type



Hook Type



The one with hook can be installed with hanger pole



Product Information

Model	Description	Watts	Lu- mens	Voltage	THD	PF	Weight	DLC Product ID #
TL-RHB1-100W-110-H1-40K	UFO Highbay	100	14,887	100-277	≤9.2%	>0.9	7.13 lbs.	PLXVY9E99Q7W
TL-RHB1-150W-110-H-40K	UFO Highbay	150	19,500	100-277	≤12.24%	>0.9	10.34 lbs.	PLI11USATM0H
TL-RHB1-200W-110-H-40K	UFO Highbay	200	25,681	100-277	≤8.32%	>0.9	12.54 lbs.	PLI70I74JJV3
TL-RHB1-240W-110-H1-40K	UFO Highbay	240	35,641	100-277	≤7.67%	>0.9	13.64 lbs.	PLKPJGE18ZIW
TL-RHB1-300W-110-H1-40K	UFO Highbay	300	45,000	100-277	≤7.67%	>0.9	17.64 lbs.	Pending
TL-RHB1-100W-110-H1-50K	UFO Highbay	100	15,174	100-277	≤9.2%	>0.9	7.13 lbs.	PL9QYYHRQK4I
TL-RHB1-150W-110-H-50K	UFO Highbay	150	19,665	100-277	≤12.24%	>0.9	10.34 lbs.	PL8JBUPD9W3R
TL-RHB1-200W-110-H-50K	UFO Highbay	200	26,588	100-277	≤8.32%	>0.9	12.54 lbs.	PL6HXTIE6YHR
TL-RHB1-240W-110-H1-50K	UFO Highbay	250	36,488	100-277	≤7.67%	>0.9	13.64 lbs.	PLDS7A4MPAUY
TL-RHB1-300W-110-H1-50K	UFO Highbay	300	45,000	100-277	≤7.67%	>0.9	17.64 lbs.	Pending

